
Soyntec[®]

LAPPTOP STATION[™] 200X

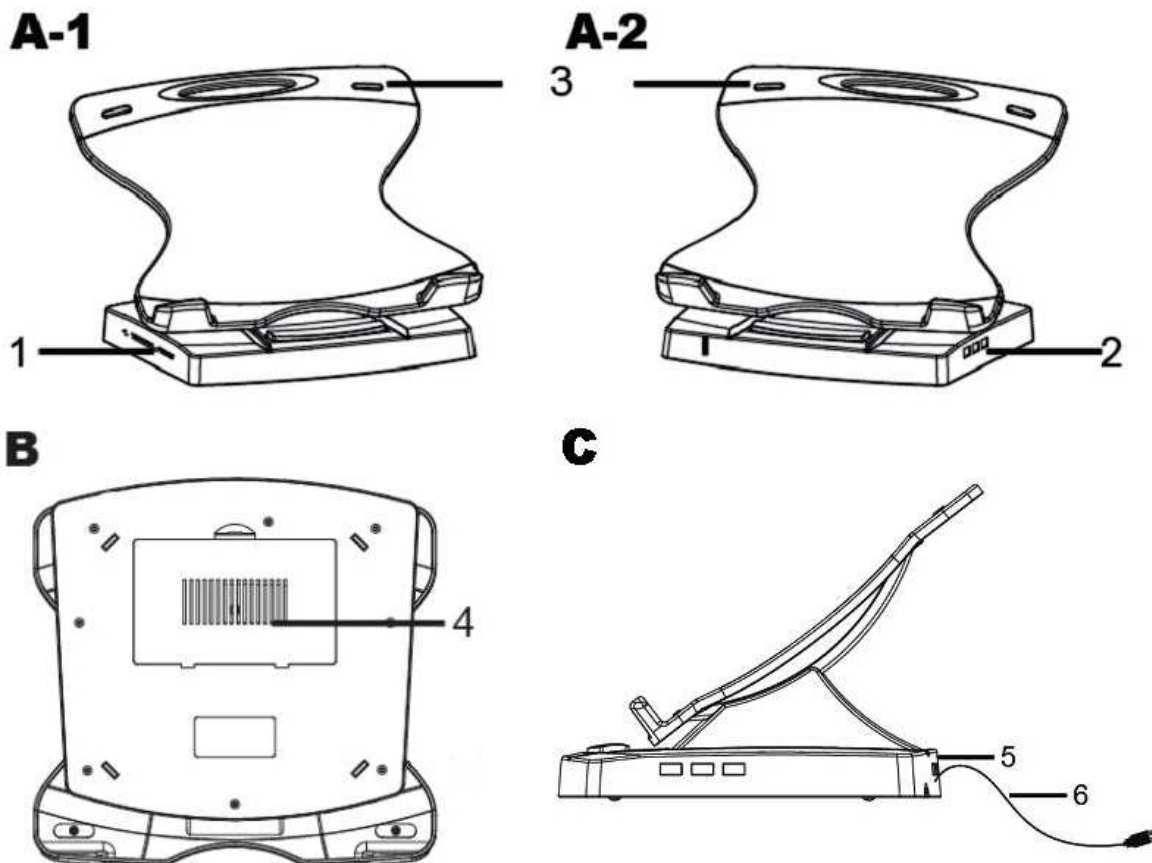
ERGONOMIC DOCKING STATION

User's Manual

PRODUCT INTRODUCTION

Overview:

A: Front view B: Underside view C: Side view



1. All in 1 Card Reader
2. USB 2.0 HUB
3. Cushion
4. 2.5" HDD PCB
5. Power-Recharge
6. USB 2.0 Cable

Specifications are subject to change without notice.

© 2007 by Soyntec. All rights reserved.

Page 1 of 4

SPECIFICATIONS

1. USB 2.0 Hub

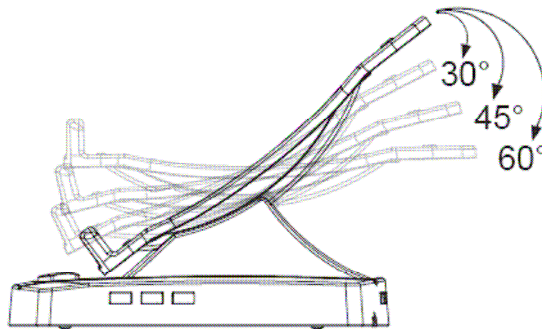
- 5 Port High Speed USB 2.0 HUB with 480Mbps, backwards compatible with USB 1.1.
- Single chip integrated USB hub controller with embedded proprietary processor.
- Built-in 3.3v voltage regulator allows single +5v operating voltage, resulting in reduced overall system cost.
- No need driver, hot plug & play. 1. USB 2.0 HUB Specifications

2. System Requirement

- PC Computer and one USB attachment.
- Support Windows 98SE, Windows 2000, Windows ME, Windows XP, Windows Vista and Mac 8.6, 9.x, 10.1x or all operation systems after 10.2x.
- The operation systems after Linux kernel versions 2.4x have the function of supporting USB.

3. Adjustable platform design

- 30°/45°/60° adjustable platform design.
- This notebook station can adjust the height of the screen of notebook. It makes users more comfortable and extends the functions.



- Raise your notebook to an ergonomical correct height, brings your notebook screen to eye level, which can reduce neck, shoulders and upper back strain.

4. Power-Recharge

- Power-Recharge for notebook operation, supply electricity.

5. Dimension

- 300(L) x 270(W) x 100(H) mm

6. Connection

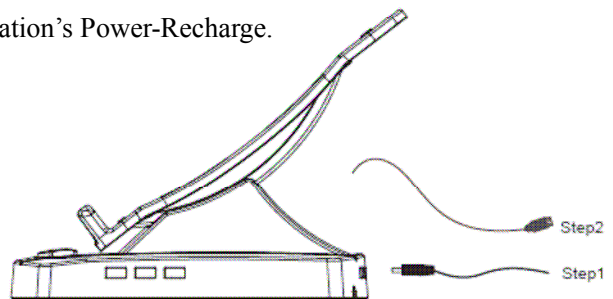
- Step1: Plug the notebook AC Power line into Notebook Station's Power-Recharge.
- Step2: Connect the USB 2.0 Cable to your notebook.

Caution

- Please don't disassemble the product without permission.
- Using wireless mouse & keyboard in Win2000 may make card reader not work, the solution is to reset windows.

Safeguards

- Avoid fire shock, rain and moisture.



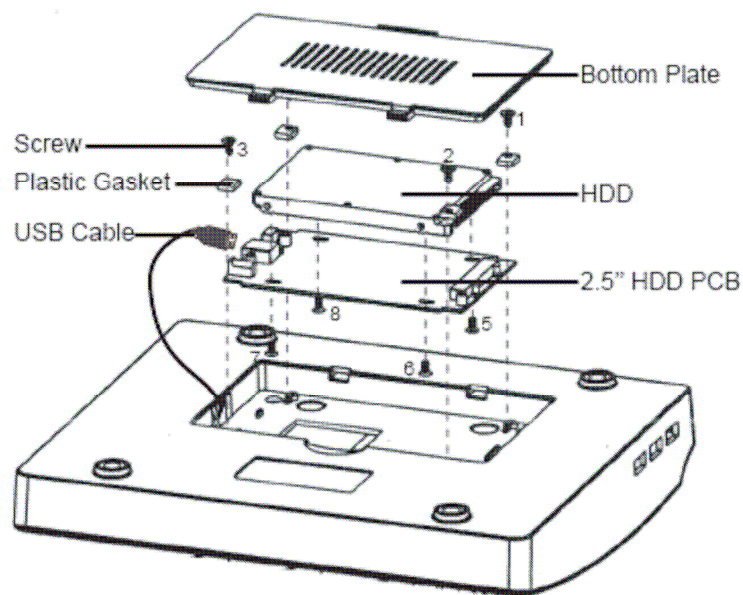
FUNCTIONS

1. 2.5" HDD PCB

"2nd HDD Build In" (2.5" HDD PCB) extends the memory space.

*HDD is not included.

Assembly Instruction Picture for HDD



Assemble step for HDD

1. Open the bottom plate.
2. Loose the four screws(Screw1-4) that fix the PCB plate.
3. Take out the PCB plate, and pull out the USB Cable.
4. Insert the HDD on PCB plate.
5. Tighten the screws(Screw5-8) to fix the HDD on PCB plate.
6. Connect the USB interface.
7. Put the fixed PCB plate on where it is.
8. Tighten the screws that were loosed on step 2.
9. Cover the bottom plate.

Specifications are subject to change without notice.

© 2007 by Soyntec. All rights reserved.

Page 3 of 4

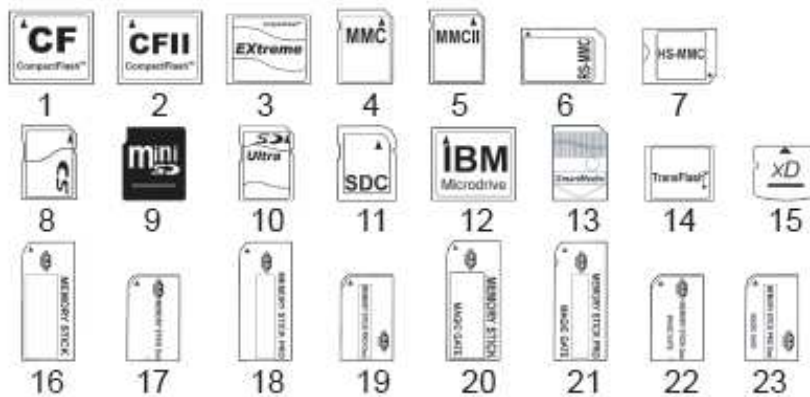
2. ALL IN 1 CARD READER

This multi-functional Card Reader uses USB 2.0 High-speed transmission interface and may compatible to traditional USB 1.1 interface.

This machine provides four kinds different of Memory cards slots. Plug-and-play, suits many kinds of memory cards to store documents or reading & taking documents.

2.1 Card Support

- | | |
|-----------------------|--------------------|
| 01.CF I Card | 02.CF II Card |
| 03.CF Ultra II Card | 04.MMC Card |
| 05.MMC II Card | 06.RS-MMC Card |
| 07.HS-MMC Card | 08.SD Card |
| 09.Mini SD Card | 10.SD-Ultra Card |
| 11.SDC Card | 12.MicroDrive Card |
| 13.SMC Card | 14.T-Flash Card |
| 15.XD Card | 16.MS Card |
| 17.MS Duo Card | 18.MS Pro Card |
| 19.MS Pro Duo Card | 20.MS MG Card |
| 21.MS MG Pro Card | 22.MS MG Duo Card |
| 23.MS MG Pro Duo Card | |



2.2 How to Setup Your Card Reader

- Install Card Reader driver software. (If your system is Windows ME, Windows XP, Windows Vista then the driver is no needed.)
- Connect the USB line to the computer USB attachment. (Usually, the place beside the attachment will be marked with the symbol USB 2.0.)